

INSTRUCTION MANUAL



KEPCO An ISO 9001 Company.

**KIT
DIN ERX
-60S**

DIN-RAIL MOUNTING KIT FOR SERIES ERX 60W

DESCRIPTION. Kepco KIT, Model DIN ERX-60S contains a cover, cable kit, a pre-assembled mounting bracket with left and right mounting clips, and associated hardware (see Table 1) used to install ERX Series 60W power supplies on a DIN rail. The "S" suffix is for mounting along the short dimension (width) as shown in Figure 1. Outline Dimensions are shown in Figure 4.

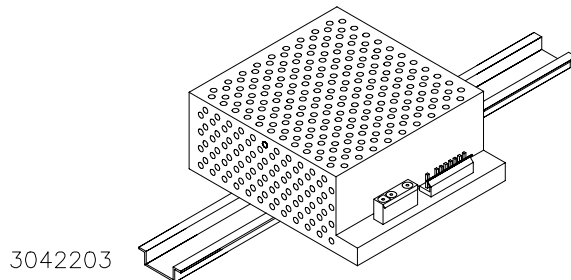


FIGURE 1. S SUFFIX ORIENTATION

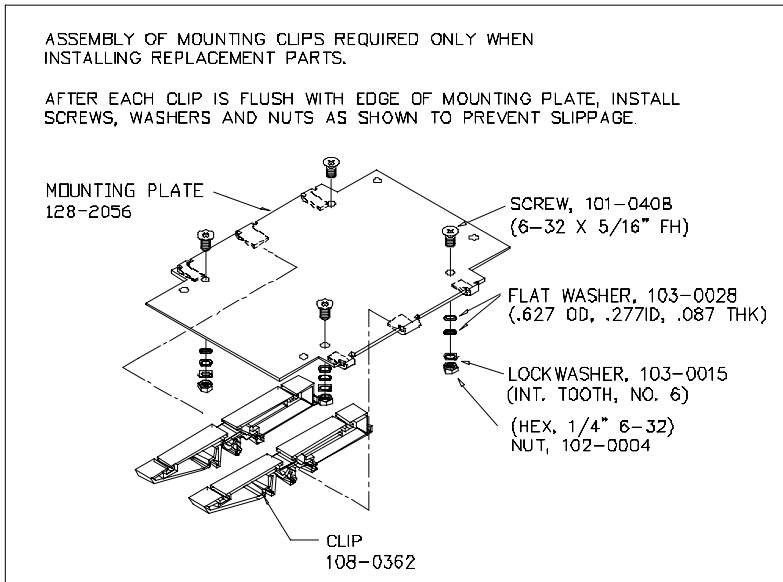
TABLE 1. COMPONENTS SUPPLIED

KIT MODEL NO.	COVER PART NO.	CABLE KIT	MOUNTING BRACKET PART NO.	SCREW (QTY 4) (Power Supply To Mounting Bracket) PART NO.	WASHER (QTY 4) (Power Supply To Mounting Bracket) PART NO.	CLIP (QTY 2) PART NO.	NUT (QTY 4) (Clip To Mounting Bracket) PART NO.	SCREW (QTY 4) (Clip To Mounting Bracket) PART NO.	WASHER (QTY 4) (Clip To Mounting Bracket) PART NO.	WASHER (QTY 8) (Clip To Mounting Bracket) PART NO.
DIN ERX-60S	CA 16	219-0145	128-2056	101-0383 (8-32 X 3/16 PHPH)	103-0017 (NO. 8, INT. TOOTH)	108-0362	102-004 (6-32 Hex)	101-0408 (6-32 X 3/16 FLPO)	103-0015 (NO. 6, INT. TOOTH)	103-0028 (NO. 6, FLAT, ST.)

INSTALLATION

1. **INSTALL COVER.** Attach the cover to the power supply per instruction manual supplied with the cover.
2. **INSTALL MOUNTING BRACKET.** Attach the mounting bracket to the power supply using the hardware supplied (see Figure 2).
4. **INSTALL CABLE KIT.** Attach wires to the power supply per Instruction Sheet supplied with cable kit.
5. **INSTALL POWER SUPPLY ON DIN RAIL.** To mount the power supply on the rail insert one end of both mounting clips under one edge of the rail, then snap the other end of the two clips into place (see Figure 3A)

REMOVING POWER SUPPLY FROM DIN RAIL. While grasping the power supply with one hand, Use a screwdriver to apply leverage towards the left as shown in Figure 3B to disengage each clip from the rail. Where mounting clips are close together, it may be necessary to apply leverage with two screwdrivers simultaneously.



3042204

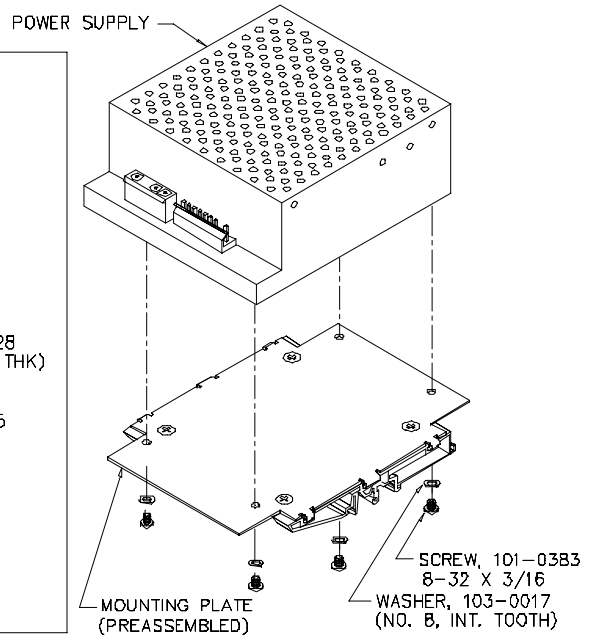
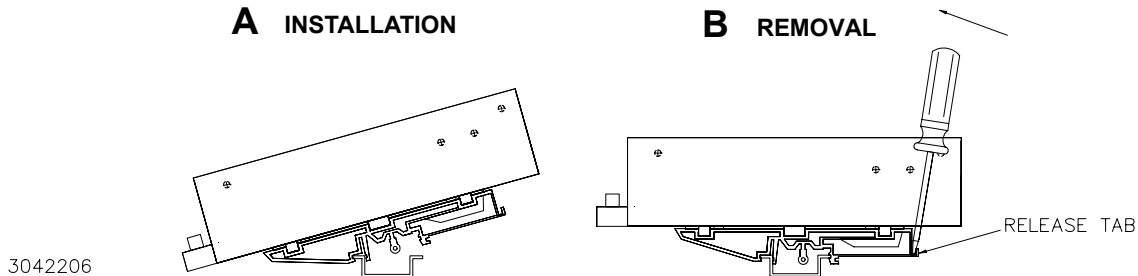
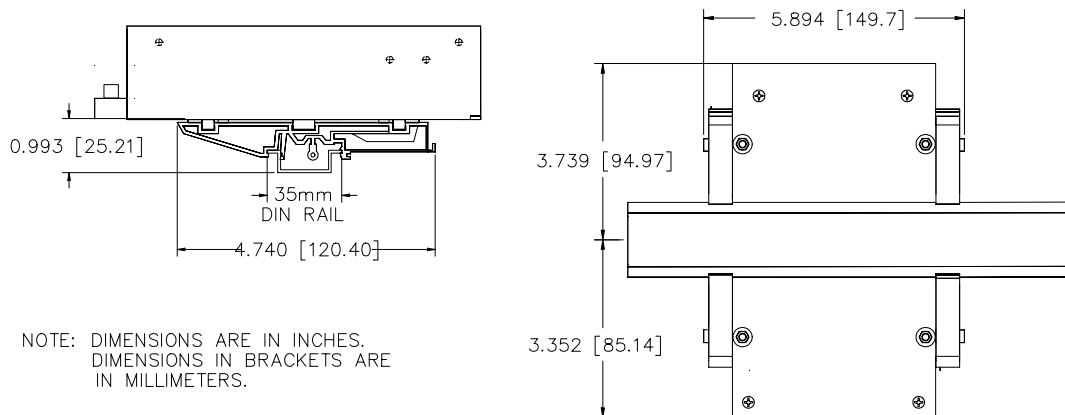


FIGURE 2. INSTALLING MOUNTING BRACKET ON MOUNTING BRACKET



3042206

FIGURE 3. INSTALLATION AND REMOVAL OF POWER SUPPLY FROM DIN RAIL



3042205

FIGURE 4. ERX 30W POWER SUPPLY WITH KIT INSTALLED, OUTLINE DIMENSIONS